



IDL Series Filter Housings

- Single Cartridge Housings Accepts Double Open End, RF and 1001 Style Filters
- All Stainless Steel Materials of Construction
- Accepts 4" (10.2 cm), 10" (25.4 cm), 20" (50.8 cm) and 30" (76.2 cm) Lengths
- 2 Closure Styles Offered-Through Bolt or V-band Clamp
- V-Band Clamp Style Features a Quick Opening T-Handle
- Variety of Inlet/Outlet Sizes and O-ring Seal Options Offered
- Optional Mounting Brackets Available

Housing Specifications

Design Ratings:

Through Bolt Design: 175 psig (12.1 bar) @ 200°F (93°C)
 V-band Clamp Design: 260 psig (17.9 bar) @ 100°F (40°C)
 200 psig (13.8 bar) @ 300°F (150°C)

NOTE: Above ratings apply to housing only. Cartridge and housing O-ring selection may impose different and narrower limitations.

Materials of Construction:

Head: 316L Stainless Steel
 Bowl: 316 Stainless Steel

Connections:

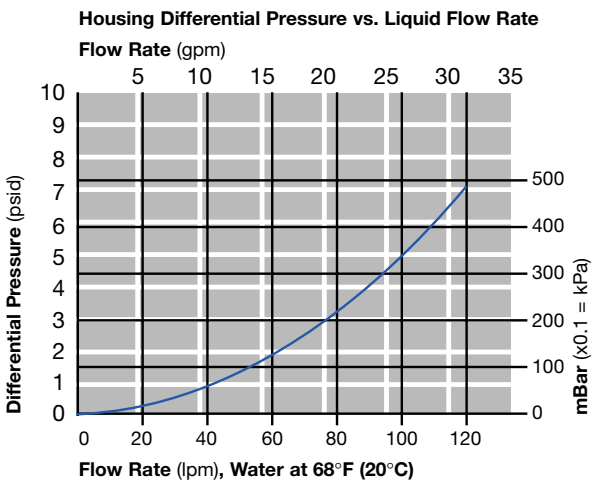
Inlet/Outlet: 3/4" NPT, 1" NPT, 3/4" BSPT, 1" BSPT, 1" BSPP
 Flange Option: 300 lb. ANSI raised face flanges or BS4504 flanges available for 1" IDL Housings
 Vent/Drain: 1/4" NPT, BSPT or BSPP (refer to ordering information for complete details)

Shell O-rings: Viton¹ A, FEP Encapsulated Viton A, Silicone Elastomer, Buna N, Ethylene Propylene, Ethylene Propylene for Steam Service

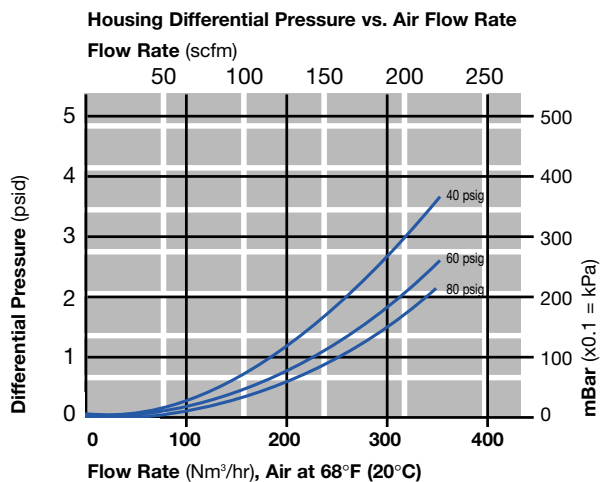


Bracket Option: Stainless steel brackets are available as a standard option.

¹ - Registered trademark of DuPont Dow.



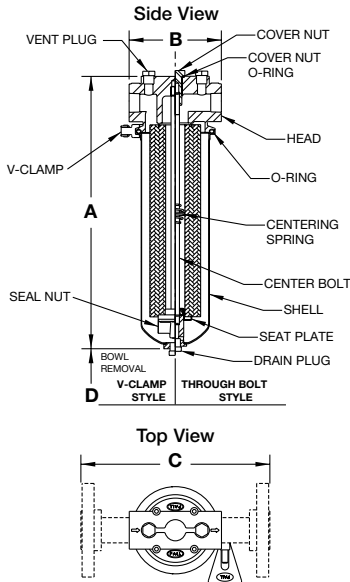
For liquids other than water, multiply differential pressure by specific gravity.



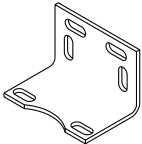
Dimensional Data

Model	Flow ² Rate (gpm/lpm)	Dimensions				Volume Gal/L	Weight Empty	
		A in/mm	B in/mm	C in/mm	D in/mm		Threaded Nozzle lbs/Kg	Flanged Nozzle lbs/Kg
IDL D04	4/15	8/203	4.81/122	9.81/250	6/153	0.11/0.4	5.1/2.3	11.9/5.4
IDL D1	10/38	14.25/362	4.81/122	9.81/250	12.63/321	0.34/1.3	5.7/2.6	12.5/5.7
IDL D2	20/76	24.25/516	4.81/122	9.81/250	22.5/572	0.74/2.8	6.7/3	13.5/6.1
IDL D3	30/114	34.25/870	4.81/122	9.81/250	32.38/822	1.14/4.3	7.7/3.5	14.5/6.6
IDL104	4/15	8/203	4.81/122	9.81/250	6/153	0.11/0.4	5.1/2.3	11.9/5.4
IDL11	10/38	14.25/362	4.81/122	9.81/250	12.63/321	0.34/1.3	5.7/2.6	12.5/5.7
IDL12	20/76	24.25/516	4.81/122	9.81/250	22.5/572	0.74/2.8	6.7/3	13.5/6.1
IDL13	30/114	34.25/870	4.81/122	9.81/250	32.38/822	1.14/4.3	7.7/3.5	14.5/6.6
IDL T04	4/15	7.88/200	4.81/122	9.81/250	6/153	0.11/0.4	5.1/2.3	11.9/5.4
IDL T1	10/38	14.13/359	4.81/122	9.81/250	12.63/321	0.34/1.3	5.7/2.6	12.5/5.7
IDL T2	20/76	24.13/613	4.81/122	9.81/250	22.5/572	0.74/2.8	6.7/3	13.5/6.1
IDL T3	30/114	34.13/867	4.81/122	9.81/250	32.38/822	1.14/4.3	7.7/3.5	14.5/6.6

² - Dependent on inlet/outlet selection.



Optional Mounting Bracket



Part #T10567035

Part Numbers/Ordering Information

IDL ■ ● G ◆ ▼ ■ (e.g. IDL D 04 G N12 C2 H13)

Code	Cartridge Style
■	
D	DOE/RF V-band
1	1001 V-band
T	DOE/RF Through Bolt

Code	Bowl Length
●	
04	4"
1	10"
2	20"
3	30"

Code	Inlet/Outlet And Vent/Drain Size
◆	
N12	3/4" NPT/1/4" NPT
N16	1" NPT/1/4" NPT
B12	3/4" BSPT/1/4" BSPT
B16	1" BSPT/1/4" BSPT
B17	1" ANSI Flange/1/4" BSPT
N17	1" ANSI Flange/1/4" NPT
P17	1" ANSI Flange/1/4" BSPP
P19	1" BSPP/1/4" BSPP
B35	1" BS4504 Flange/1/4" BSPT
P35	1" BS4504 Flange/1/4" BSPP

Code	Housing Options
▼	
Blank	Blank
C2	Passivated
C9	Cleaned For Oxygen Service

Code	Seal Materials
■	
H	Viton A
H1	FEP Encapsulated Viton A
H4	Silicone
H13	Buna N
J	Ethylene Propylene
J7	Ethylene Propylene For Steam Service



New York - USA
1.800.FILTERS toll free in the USA
516.484.5400 phone
516.484.3216 fax
information@pall.com e-mail

Portsmouth - Europe
44 (0)23 9230 3303 phone
44 (0)23 9230 2510 fax
BioPharmUK@europe.pall.com e-mail

Beijing - China
86 10 87696388 phone
86 10 87691787 fax
pcnhsginfo@pall.com e-mail

Visit us on the Web at www.pall.com

Pall Corporation has offices and plants throughout the world in locations including: Argentina, Australia, Austria, Belgium, Brazil, Canada, China, France, Germany, Hong Kong, India, Indonesia, Ireland, Italy, Japan, Korea, Malaysia, Mexico, the Netherlands, New Zealand, Norway, Poland, Puerto Rico, Russia, Singapore, South Africa, Spain, Sweden, Switzerland, Taiwan, Thailand, United Kingdom, United States, and Venezuela. Distributors are located in all major industrial areas of the world.